

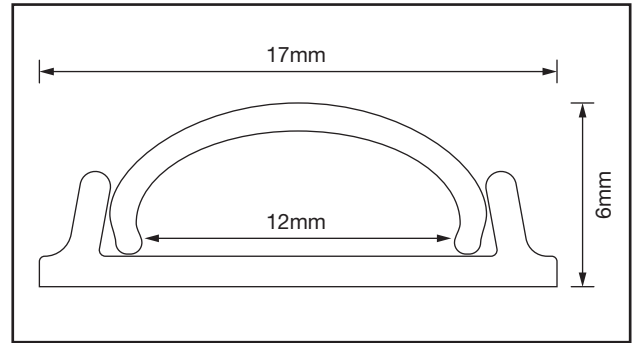
## APAC06

2m Flexible Surface Aluminium Profile  
With Diffuser & Accessories

# PROFILE 6

### PRODUCT FEATURES

- Anodised Aluminium Finish
- Engineered For Flexible Surface Mount Solution
- High Strength Material
- Opal Polycarbonate Diffuser
- End Caps & Brackets Included
- Bend Radius: 6 Inch Maximum



### TECHNICAL SPECIFICATIONS

Product Code	APA112T
Material	Aluminium Alloy
Diffuser Material	Polycarbonate
Ingress Protection	IP20
Guarantee	2 Years

### Accessories\*



**Accessory Pack**  
APAC06/ACC\*



\*Sold Separately